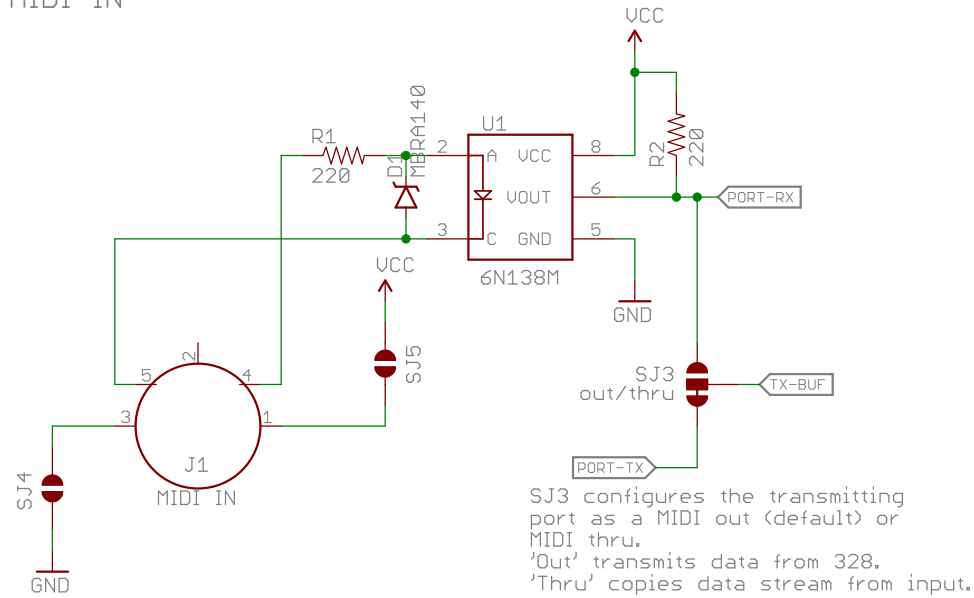
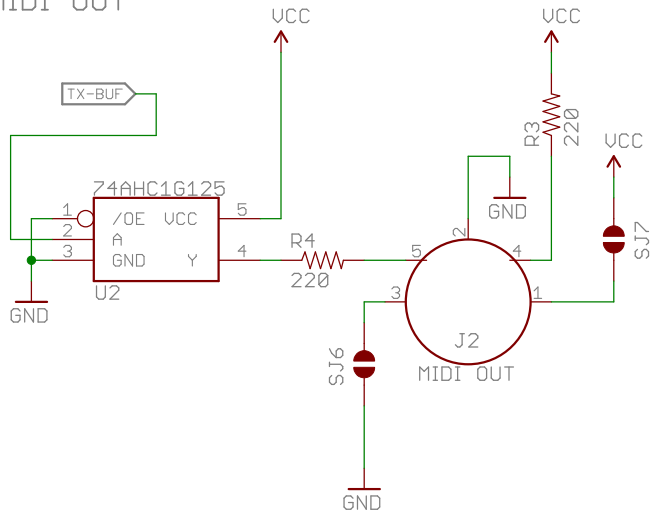


MIDI IN



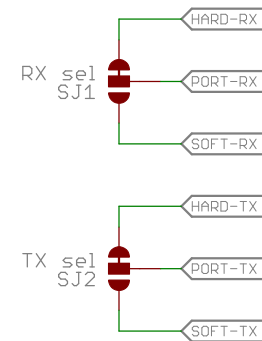
MIDI OUT



MIDI I/O reference design from:
<http://www.midi.org/techspecs/electrispec.php>

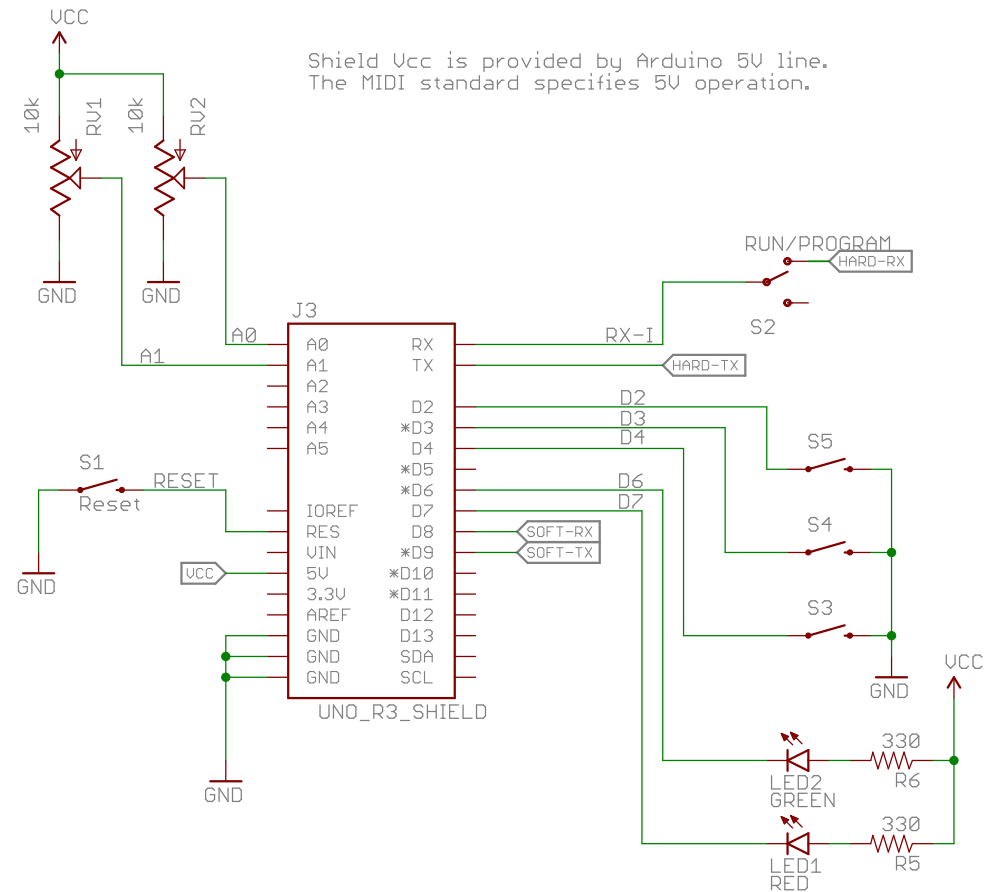
SJ4, SJ5, SJ6, SJ7 implement power-over-MIDI, using pin assignment proposed by Craig Anderton (Pin 1 = Ucc, pin 3 = ground). Close JP4 & 5 to power the MIDI input. Close JP6 & 7 to power the output.

Serial Port Selection



SJ1, SJ2 select between hardware serial port (pins 0, 1) and soft-serial (pins 8, 9). Hardware serial selected by default.

Shield Connections and controls



sparkfun



open hardware

Released under the Creative Commons Attribution Share-Alike 4.0 License
<https://creativecommons.org/licenses/by-sa/4.0/>

TITLE: SparkFun_MIDI_Shield

Design by: Chris Taylor
 Revision By: Byron Jacquot

REV:
 V1.5

Date: not saved!

Sheet: 1/1